

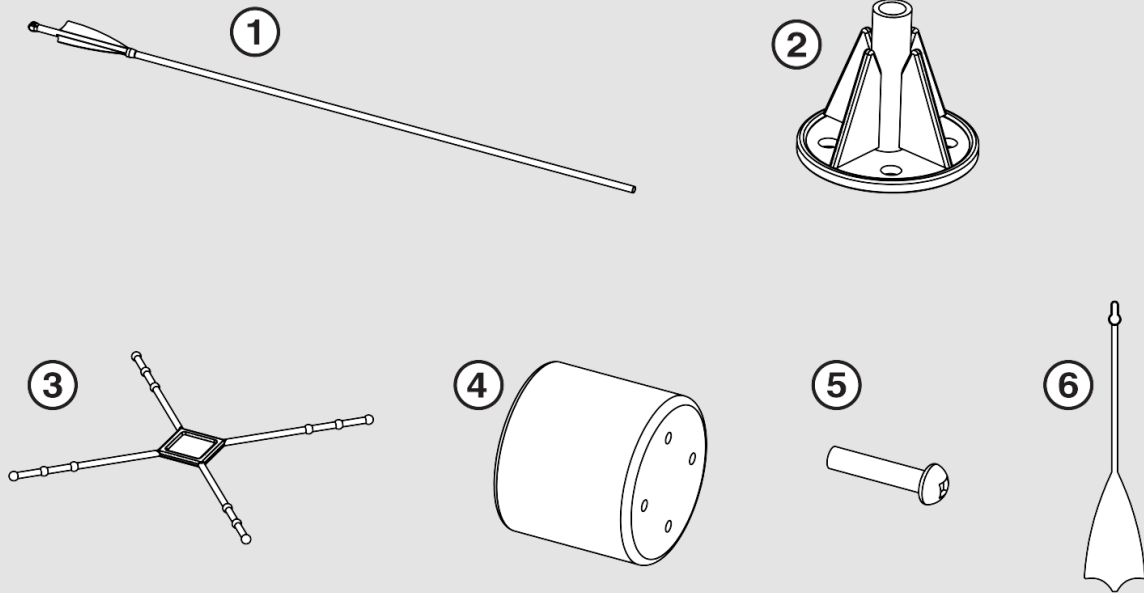


ARROW ASSEMBLY



ASSEMBLY AND INSTRUCTION MANUAL

ARROW PARTS



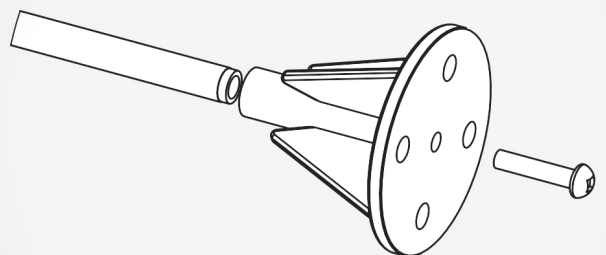
1. Arrow Shaft
2. Head Mount
3. Elastic Brace

4. Foam Head
5. Screw
6. Assembly Tool

ASSEMBLY

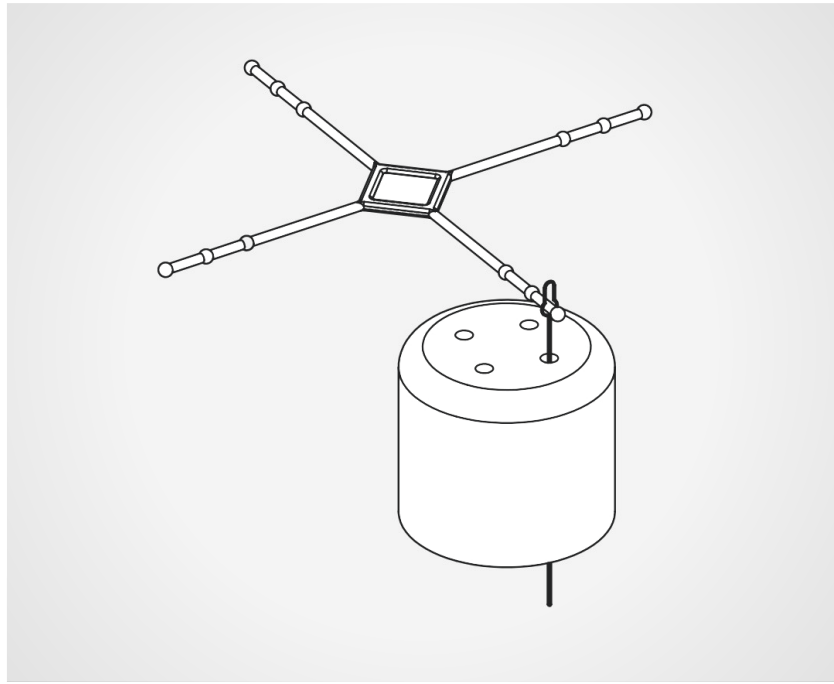
STEP 1.

Insert the arrow shaft into the head mount and secure it with the screw provided.



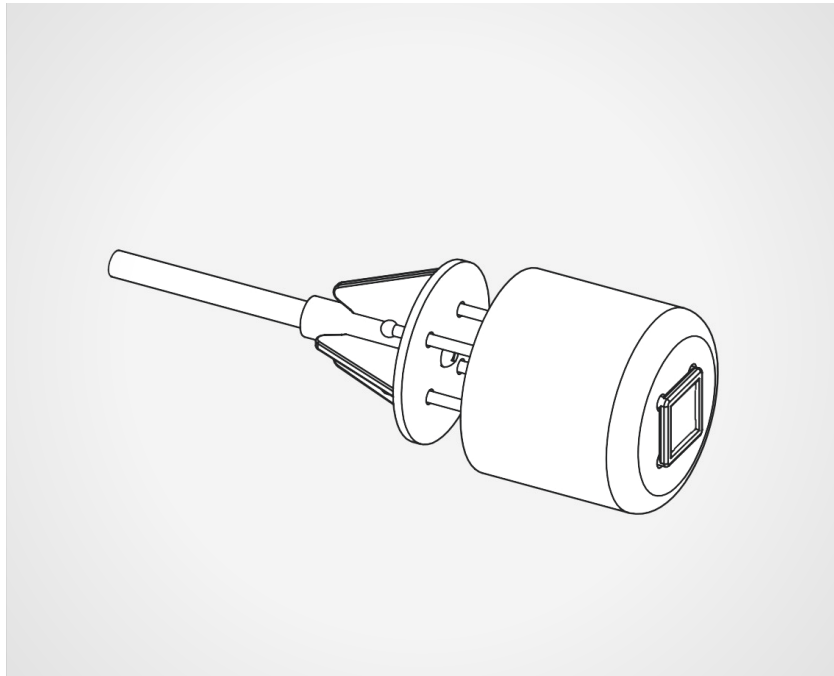
STEP 2.

Insert the assembly tool through the back of the foam head. Push an arm of the elastic brace into the eye of the tool. Pull the assembly tool back. Repeat with corresponding holes



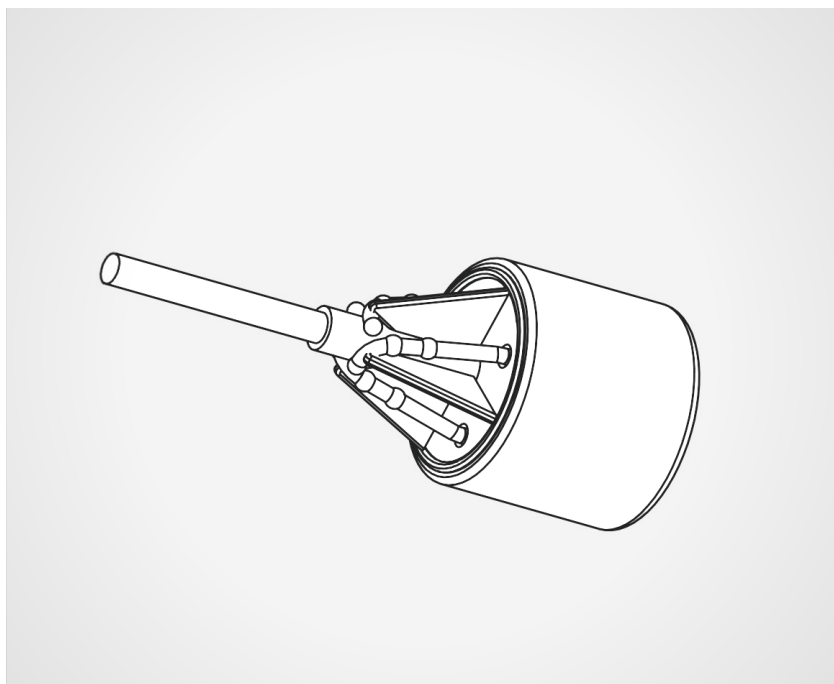
STEP 3.

Push the protruding arms of the foam head through the holes of the head mount.



STEP 4.

Pull the elastic arms over the top of each ridge and wedge in place to secure



**And that's it! Your arrow
is now safe to use**

SAFETY RULES AND GUIDELINES

WARNING for safe use follow all **RULES** and **GUIDELINES**

NEVER shoot a broken arrow or disassembled arrow
NEVER fire at objects from close range or at unaware targets
AVOID stepping on the arrow and firing at hard surfaces
ALWAYS inspect arrows for damages before use
ALWAYS wear protective equipment
ONLY USE bow with maximum draw weight of 35 lbs or less

Failure to follow the rules and guidelines may result in serious or fatal injury

#UrbanArchery

Warranty Statement

Arrowsoft warrants our manufactured products to be free of defects and workmanship under normal intended use. Any defective products will be replaced free of charge. The arrowheads carry a 12 month warranty from the date of purchase. All other products carry a 30 day warranty from date of purchase.

This warranty does not apply to damages due directly or indirectly to misuse, abuse, modifications, incorrect installation, and/or lack of maintenance.

Visit us at www.arrowsoftsports.com for more information.

All rights reserved. 2018.